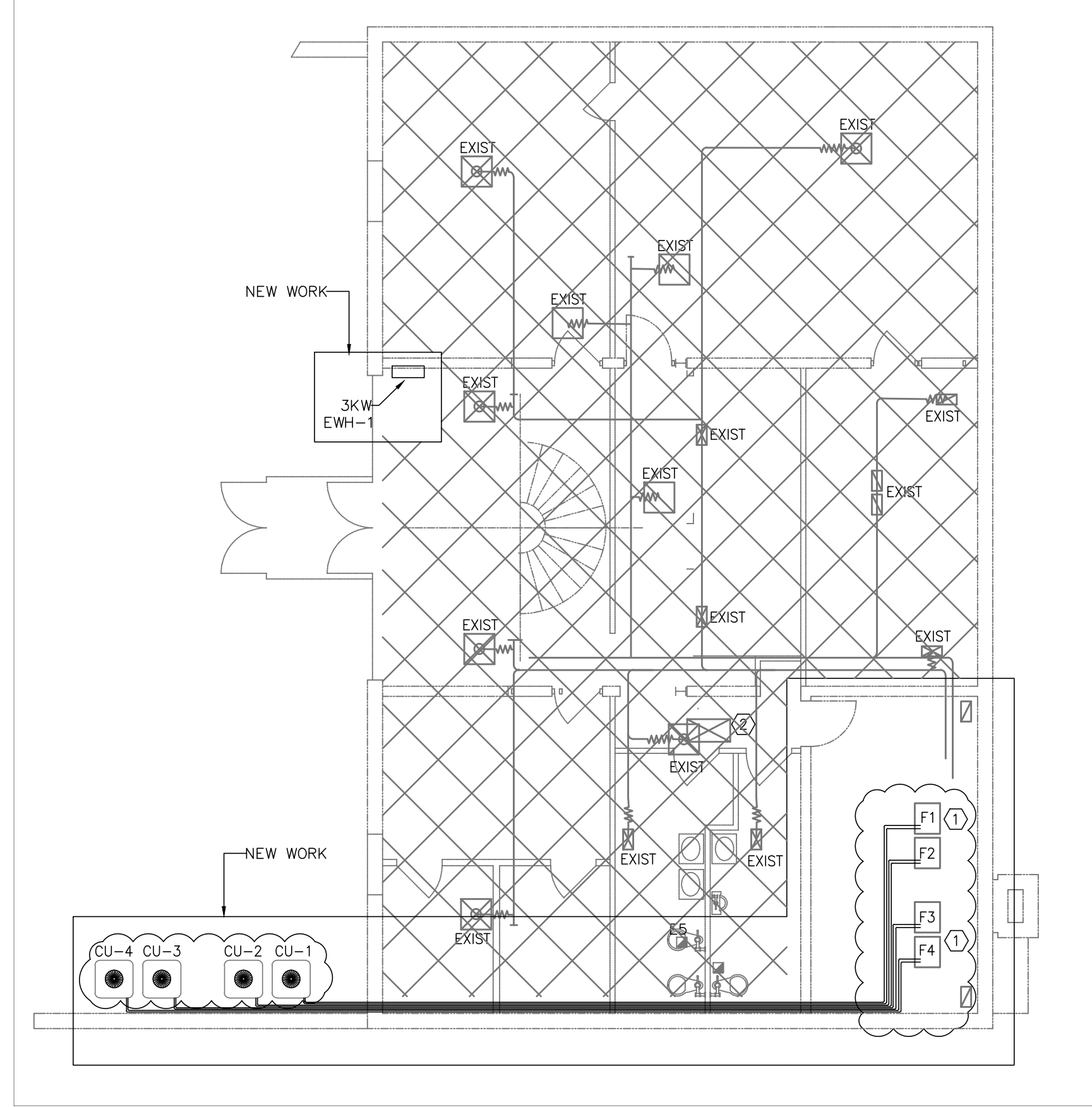
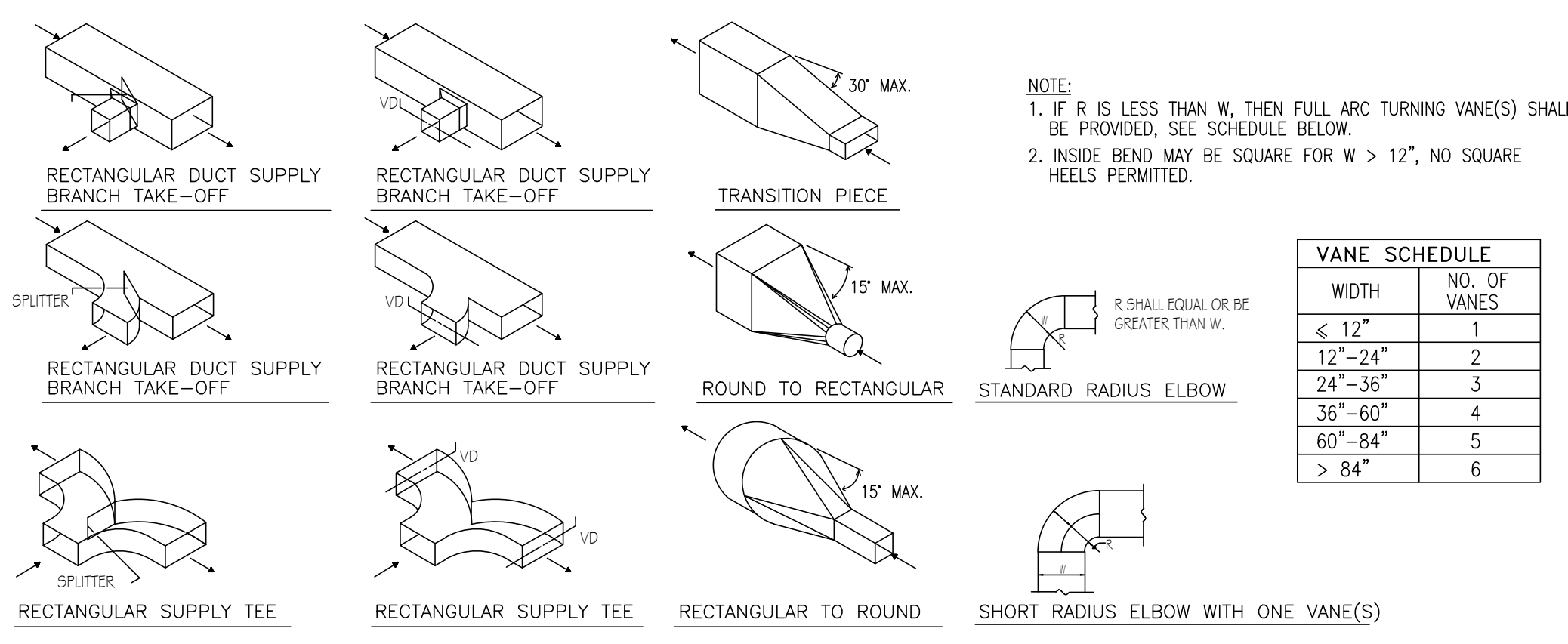


MAIN LEVEL HVAC LAYOUT
SCALE: 1/8" = 1'-0"



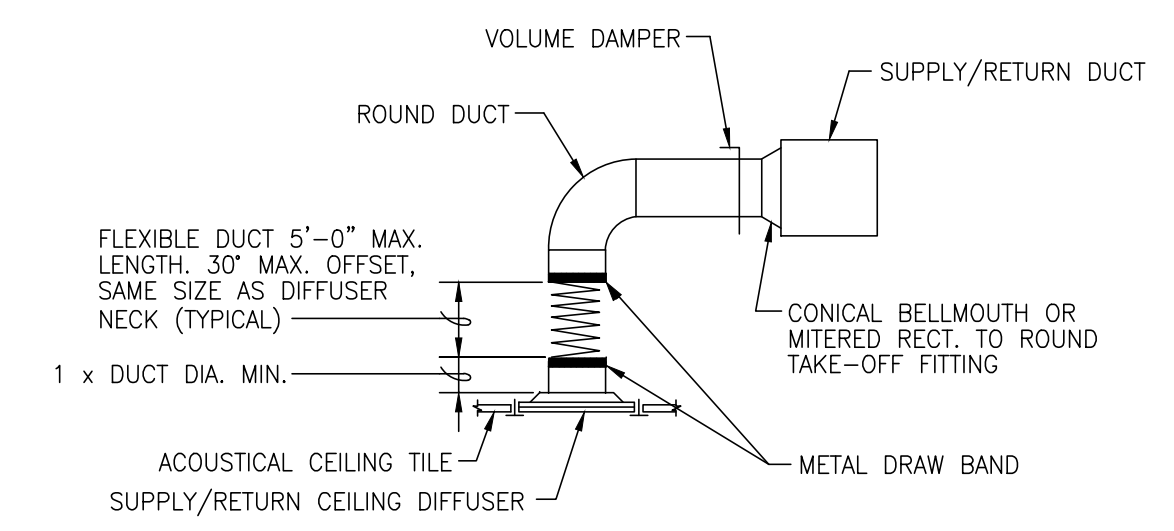
LOWER LEVEL HVAC LAYOUT
SCALE: 1/8" = 1'-0"



VANE SCHEDULE	
WIDTH	NO. OF VANES
≤ 12"	1
12"-24"	2
24"-36"	3
36"-60"	4
60"-84"	5
> 84"	6

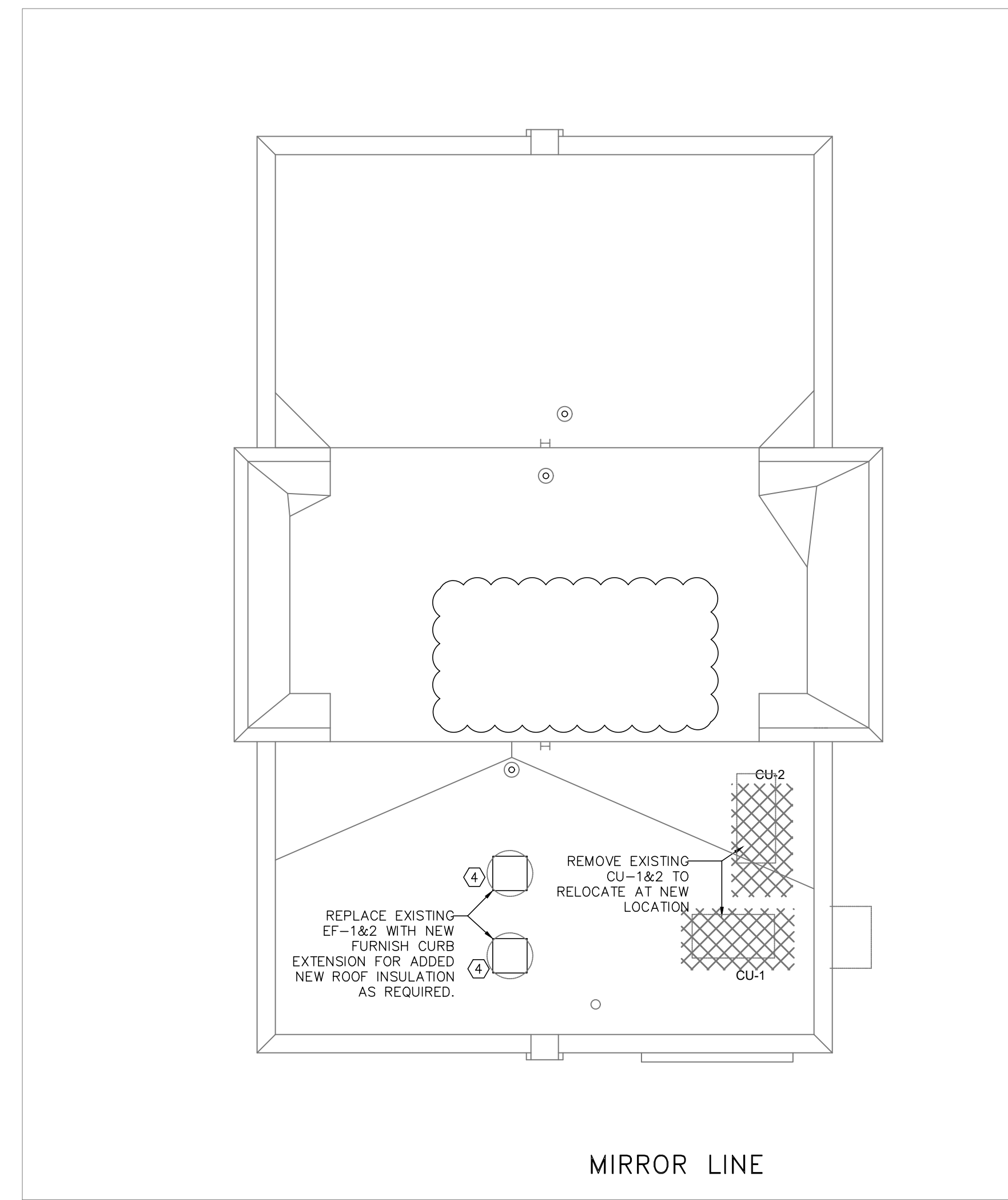
TYPICAL DUCT DETAILS
NO SCALE

- NOTES**
- IT IS THE RESPONSIBILITY OF THE HVAC CONTRACTOR TO EXAMINE THE EXISTING CONDITION PRIOR TO THE BID.
 - RELOCATING THE REGISTERS AND EXTENDING THE DUCT WORK TO BE INCLUDED AS NEEDED.
 - HVAC CONTRACTOR SHALL VERIFY THE EXISTING DUCT WORK IN FIELD AND NOTIFY TO THE ENGINEER IF FIND ANY DISCREPANCY.
 - HEATING SYSTEM OF CU-1 & 2 WITH F1 & F2 SHALL WORK SIMULTANEOUSLY THROUGH COMMON CONTROL SYSTEM. SIMILARLY CU-3 & CU-4 WITH F3 & F4 TO WORK TOGETHER AS IT WAS EXISTING PREVIOUSLY.

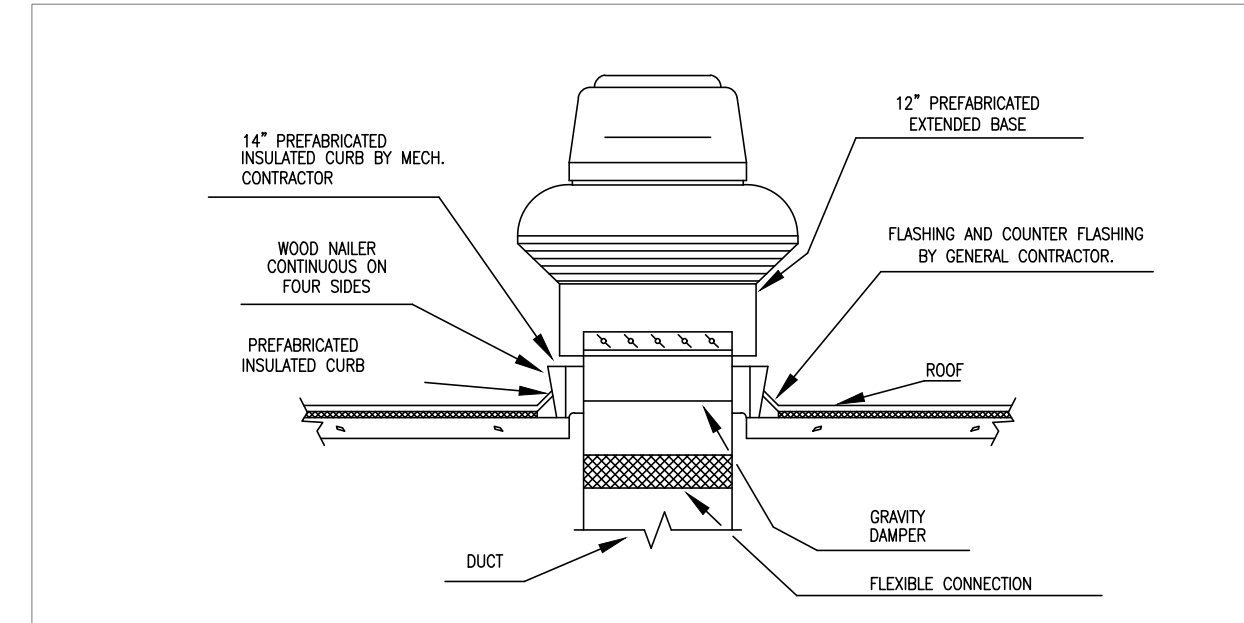


- NOTE:**
- STRAIGHT SPIN COLLARS SHALL NOT BE PERMITTED.
 - SPECIAL CONDITIONS THAT CANNOT MEET THE STANDARD SHALL BE BROUGHT TO THE ENGINEER'S ATTENTION ON A CASE BY CASE BASIS.
 - DETAILS ILLUSTRATE INSTALLATION WITH ROUND NECK DIFFUSERS AND DUCTS. SQUARE OR RECTANGULAR NECK DIFFUSERS AND DUCTS SHALL BE SIMILAR.
 - SEE RETURN AIR GRILLE CONNECTION DETAIL FOR FAN POWERED BOX ON THIS SHEET.

DIFFUSER CONNECTION DETAIL
NO SCALE



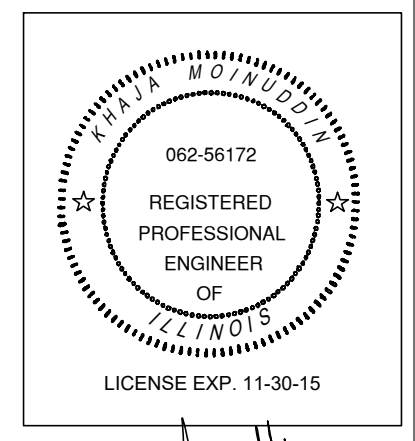
ROOF HVAC LAYOUT
SCALE: 1/8" = 1'-0"



ROOF EXHAUST FAN DETAIL
NO SCALE

SHEET KEY NOTES

- EXISTING DUCT SHALL REMAIN AND BE REUSED. ALL FURNACE, CONDENSER EQUIPMENT, GRILLS AND REGISTERS SHALL BE NEW.
- FURNISH AND INSTALL NEW SUPPLY AIR DIFFUSER TO THE NEW LOCATION AS SHOWN. REWORK, MODIFY & EXTEND EXISTING DUCT AS REQUIRED AND CONNECT TO THE NEW SUPPLY AND RETURN DIFFUSER. BALANCE SUPPLY AIR TO CFM SHOWN.
- PROVIDE NEW EXHAUST AIR GRILLE. GRILLE TO MATCH EXISTING BUILDING STANDARD. PROVIDE NEW 6" DIA EXHAUST AIR DUCT AND CONNECT TO THE EXHAUST AIR MAIN AS SHOWN. AIR BALANCE GRILLE TO CFM SHOWN.
- REPLACE EXISTING ROOF EXHAUST FANS AS SHOWN.
- PROVIDE NEW THERMOSTAT AS SHOWN. REWORK, MODIFY & EXTEND EXISTING CONTROL WIRING AS REQUIRED AND CONNECT TO NEW THERMOSTAT. VERIFY IN FIELD.
- HVAC CONTRACTOR SHALL VERIFY THE EXISTING FIRST FLOOR RETURN FLOOR MOUNT REGISTER AND REUSE THE LOCATION TO AVOID ANY NEW FLOOR CUTTING.
- HVAC CONTRACTOR SHALL SUBMIT THE SHOP DRAWING PRIOR TO ANY MODIFICATION.
- IT IS CONTRACTORS RESPONSIBILITY TO VERIFY IN FIELD AND NOTIFY THE ENGINEER FOR ANY DISCREPANCIES.



INSPIRED TECHNOLOGY CONCEPTS.
1433, TONNE ROAD,
ELK GROVE, IL
60007
Tel # 847-770-5725

LEWTECH DESIGNS
912 HAYDEN DR.
MCHENRY, IL 60050
303-526-8158
LEWTECH@PEAFIRM.COM

ARCHITECT/ENGINEER

LUCCACCIONI
OFFICE REMODEL
721 DUNDEE AVE., ELGIN, IL

PROJECT NUMBER:
14-009

DRAWN BY:
LP

CHECKED BY:

DATE: REVISION:

DATE:	ISSUED AS:
2-26-15	PRELIMINARY DESIGN
9-16-15	PERMIT SUBMITTAL
10-28-15	PERMIT REVISION
10-10-16	PERMIT RE-SUBMITTAL
11-7-16	ISSUE FOR PRICING

SHEET TITLE:

HVAC LAYOUT

SHEET NUMBER:

M-01

All drawings and written material contained herein may not be duplicated, used or disposed without the written consent of the architect(s).